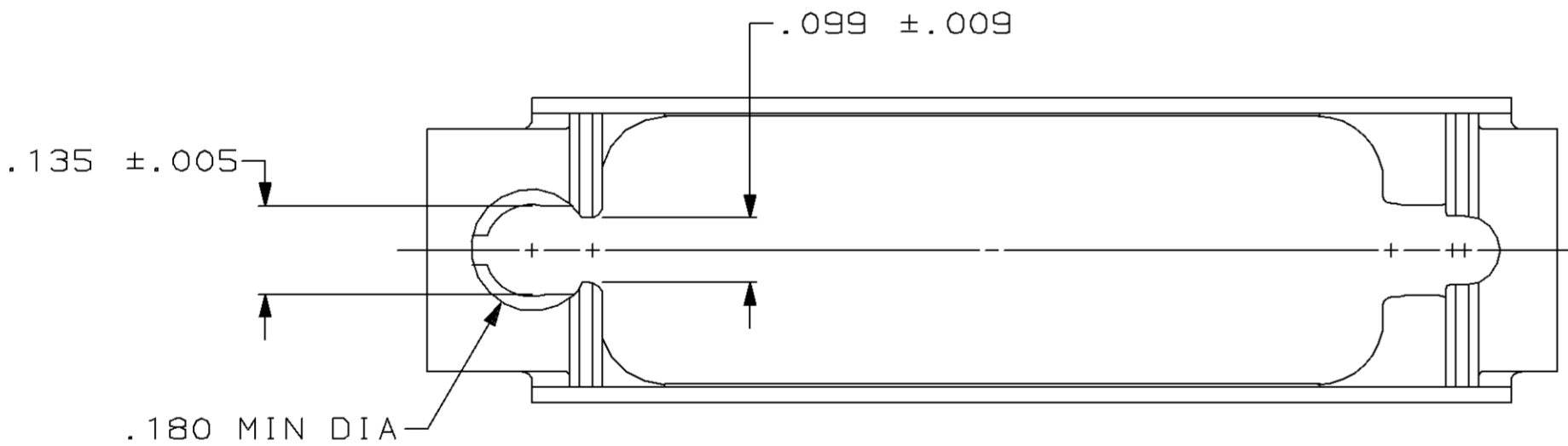
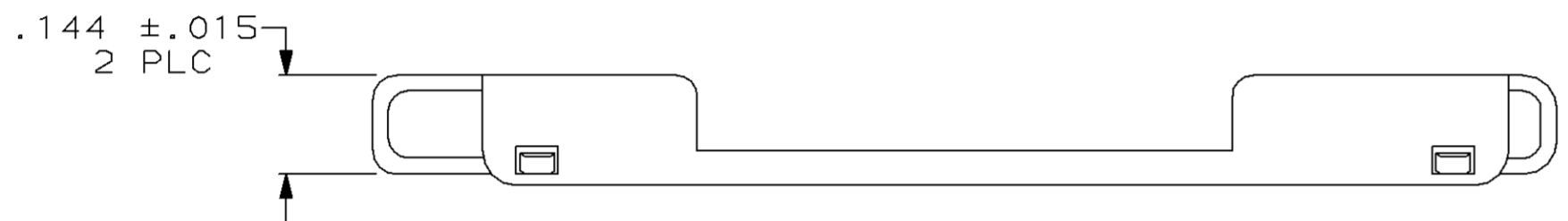
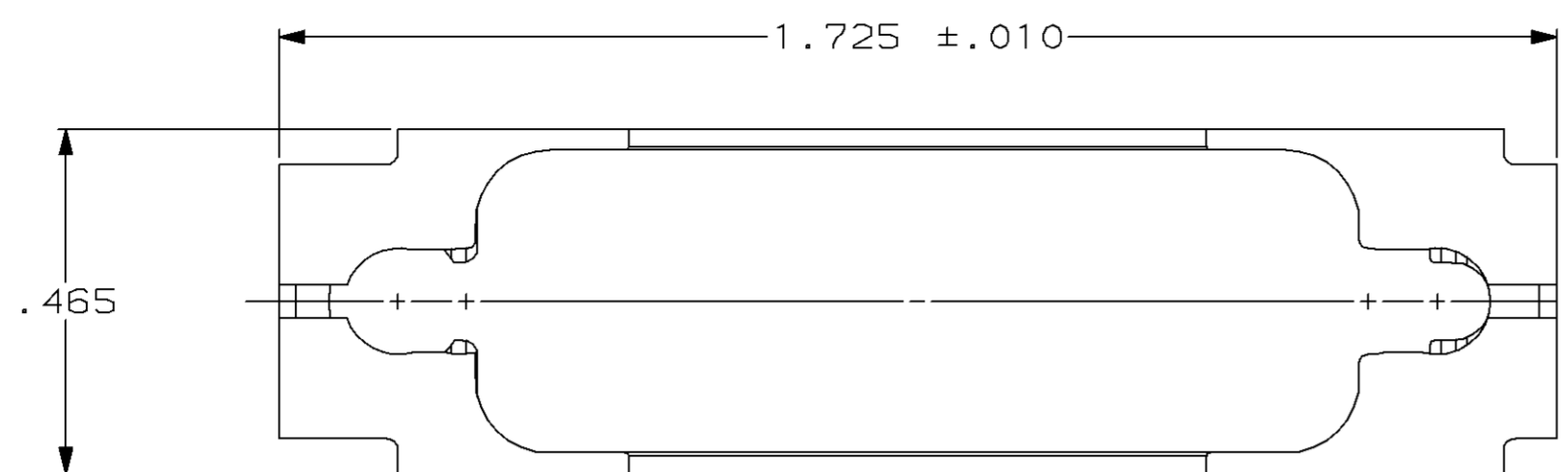



THIS DRAWING IS UNPUBLISHED. RELEASED FOR PUBLICATION, 19 .  
 © COPYRIGHT 19 BY AMP INCORPORATED. ALL INTERNATIONAL RIGHTS RESERVED.

LOC	DIST	P	F	ZONE	LTR	DESCRIPTION	DATE	APPD
BD	48					RELEASED	03/29/89	-
						REV PER ECN BD3729	03/12/90	-
						REV PER ECN BD3814	04/10/90	-
						REV PER EC 0020-972-93	07/27/93	SB



749027-1  
PART NO

DO NOT SCALE PRINT. UNLESS SPECIFIED DIMENSIONS IN INCHES TOLERANCES ON : 2 PLC DEC ± - 3 PLC DEC ± .005 ANGLES ± -	DR 03/29/89 L.SIPE	 AMP INCORPORATED Harrisburg, Pa. 17105		
	CHK 3-31-89 R. STONE			NAME SLIDELATCH, SIZE 2, 15 POSN, REINFORCED, UNIVERSAL, ONE PIECE, AMPLIMITE®
MATERIAL STAINLESS STEEL PER ASTM A167	APPD 3-31-89 J. WESTMAN	SIZE	FSCM NO	DRAWING NO
FINISH -	APPD 3-31-89 J. SHOWERS	<b>C</b> 00779		749027
	PRODUCT SPEC -	SCALE	4:1	SHEET
	APPLICATION SPEC IS6551			1 OF 1
	WEIGHT -			